



Gold Label Technology Limited

高力堡科技有限公司

GL RFID Solution provides the RFID technology solutions to enable your organization to identify, track, manage and optimize the deployment of critical assets for improved business efficiency.

Add RFID to your working process Flow

RFID plays an important role in businesses where the need to conduct a full asset audit, create an up-to-date inventory, tag your vital assets for future tracking for depreciation and insurance purposes, track your assets when they move, identify when your stock is obsolescent and give options for environmentally friendly disposal and, sadly, identify when things just go missing.

User can continue using the current database file & data format with the new RFID checking system.

	ORDERKEY	DN	HUAWEIPONO	PALLETID	NOOFCARTON	NOOFEMPTYB	PKGTYPE	QTY	
1	0000125780	0981264148	HW20249851-1	HGP0022413	7	0	Plywood Pallet	1000	3 CTNS
2	0000125781	0981264149	HW20274985-14	HGP0022417	1	0	Plywood Pallet	200	1 CTN :
3	0000125782	0981264151	HW20274975-15	HGP0022415	15	0	Plywood Pallet	3000	15 CTN

Table : HGSTPack

Field Name	Data Type	Description
OrderKey	nvarchar(10)	WMS SO#
DN	nvarchar(10)	HGST DN#
PalletID	nvarchar(50)	Pallet ID
NoofCarton	int	No. of Carton / Pallet
NoofEmptyBox	int	No. of Empty Box / Pallet
PkgType	nvarchar(20)	Package Type
Qty	int	Qty
Packing	nvarchar(300)	Packing Details
SeqNo	int	Sequence No.

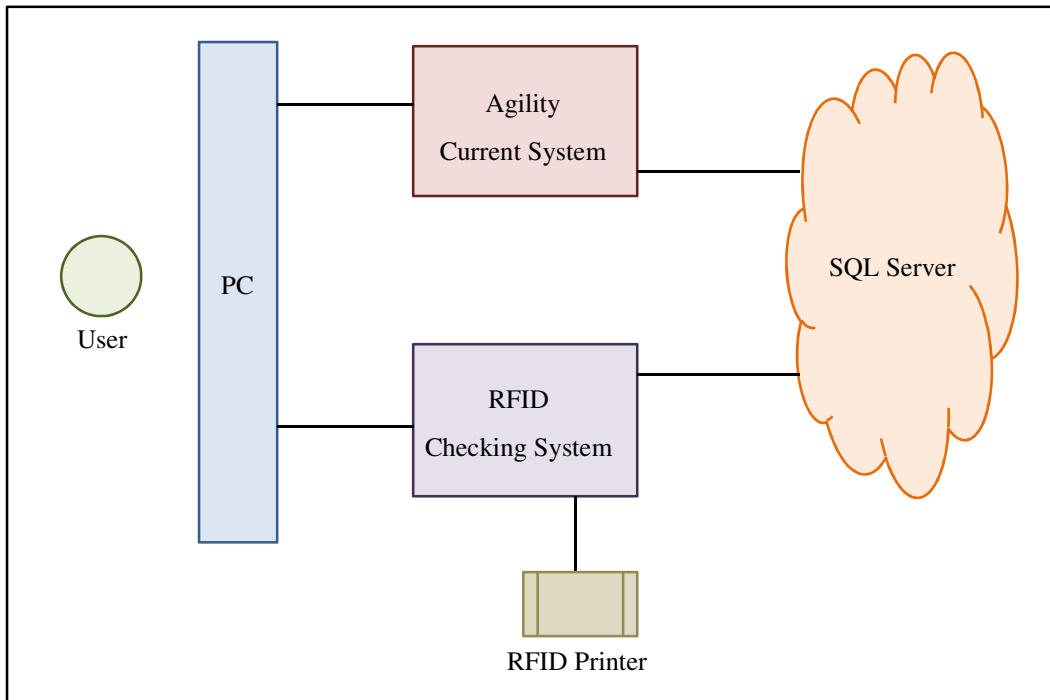
Unit 02 6/F, Block B, Hoi Luen Industrial Centre, 55 Hoi Yuen Road, Kwun Tong, KLN, HK

香港九龍官塘開源道55號開聯工業中心B座602室

Tel : (852)23053988 Fax : (852) 3694 0599 email: sales@goldlabeltech.com <http://www.goldlabeltech.com>



For the new RFID checking system, it will directly connect to Agility's SQL server to gain the item information,



When user opens the RFID checking system and input the required data in sequence, system will check and analysis the data with SQL server. If data is valid, system will then automatically generate a unique RFID number for the item and print a media tag for it.

1 Select DN

3 Print Label Re-Print Label

Delivery Note:

PalletID	Mfg. Date	PCS/CTN	No. of Label	Total Qty

2

Total Label: 0 Total Qty: 0

Pallet ID	Manufacturing Date	Qty (pcs / Carton)	Qty (Label)
<input type="text"/>	2015-07-10 <input type="text"/>	<input type="text"/>	<input type="text"/>

ADD DELETE

Insert the data and then the system will compare the value from the SQL server. Any wrong inserting data will not be allowed to print the tag

Unit 02 6/F, Block B, Hoi Luen Industrial Centre, 55 Hoi Yuen Road, Kwun Tong, KLN, HK

香港九龍官塘開源道55號開聯工業中心B座602室

Tel : (852)23053988 Fax : (852) 3694 0599 email: sales@goldlabeltech.com <http://www.goldlabeltech.com>



When user needs to export the package, open the GL program installed in Mobile Scanner. When user turns on the RFID sensor, the corresponding RFID tag will be found and the mobile scanner will generate an export report for the packages.



Gold Label Technology Ltd

100% 10-07-2015 下午 01:04 [X]

DN:

Pallet ID:

Start RFID

Total Label: 0 Total pcs: 0

Confirm

Click this button to start the RFID scanning, scanned report will be shown on the below column

Here shows a sample of the report:

	A	B	C	D	E	F	G	H
1	DN	PalletID	Mfg. Date	PCS/CTN	No. of Label	Total Qty		
2	0931264148	HGP0022413	20150701	200	2	400		
3	0931264148	HGP0022413	20150702	200	1	200		
4	0931264148	HGP0022413	20150703	197	1	197		
5	0931264148	HGP0022413	20150703	196	1	196		
6	0931264148	HGP0022413	20150703	3	1	3		
7	0931264148	HGP0022413	20150703	4	1	4		
8				Total	7	1000		